


## End cover - PSD-S AS END COVER - 2700148

Please be informed that the data shown in this PDF Document is generated from our Online Catalog. Please find the complete data in the user's documentation. Our General Terms of Use for Downloads are valid (<http://phoenixcontact.com/download>)

Black end cover (replacement part)



### Key Commercial Data

Packing unit	1 pc
GTIN	 4 046356 491396
GTIN	4046356491396
Weight per Piece (excluding packing)	14.000 g
Custom tariff number	85319000
Country of origin	Germany

### Technical data

#### Dimensions

Diameter	70 mm
Height	16 mm

#### Ambient conditions

Ambient temperature (operation)	-30 °C ... 50 °C
---------------------------------	------------------

#### General

Material	Polycarbonate PC
Color	black
Weight	14 g
Mounting position	any

# End cover - PSD-S AS END COVER - 2700148

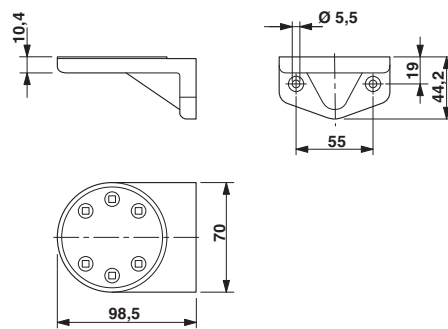
## Technical data

### Environmental Product Compliance

China RoHS	Environmentally friendly use period: unlimited = EFUP-e
	No hazardous substances above threshold values

## Drawings

Dimensional drawing



## Classifications

### eCl@ss

eCl@ss 10.0.1	27242292
eCl@ss 11.0	27242292
eCl@ss 4.0	21011300
eCl@ss 4.1	21011300
eCl@ss 5.0	27141100
eCl@ss 5.1	27371200
eCl@ss 6.0	27141100
eCl@ss 7.0	27141133
eCl@ss 9.0	27242292

### ETIM

ETIM 3.0	EC001284
ETIM 4.0	EC000886
ETIM 6.0	EC002584
ETIM 7.0	EC002584

### UNSPSC

UNSPSC 6.01	43172015
UNSPSC 7.0901	43201404

## End cover - PSD-S AS END COVER - 2700148

### Classifications

#### UNSPSC

UNSPSC 11	39121311
UNSPSC 12.01	39121311
UNSPSC 13.2	39121425
UNSPSC 18.0	32151601
UNSPSC 19.0	32151601
UNSPSC 20.0	32151601
UNSPSC 21.0	32151601

### Approvals

#### Approvals

---

#### Approvals


#### EAC

---

#### Ex Approvals

---

### Approval details

EAC		RU *- DE.A*30.B.00237
-----	---	--------------------------

---